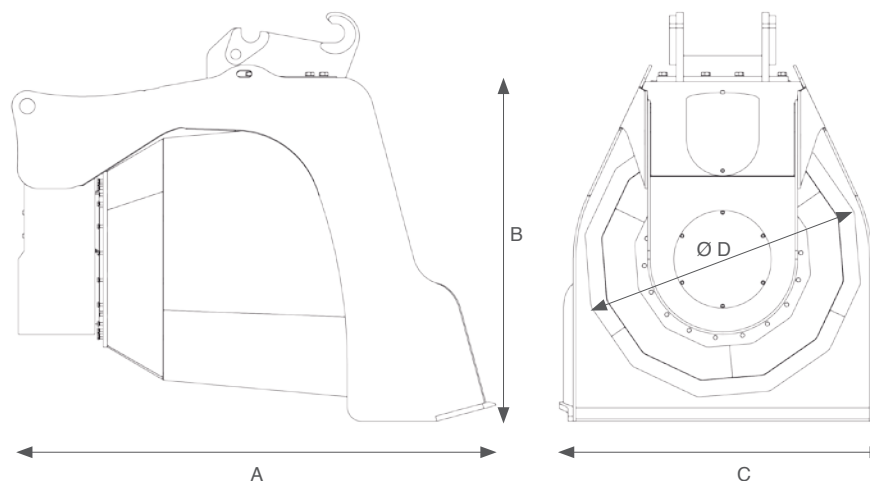


XS 50



TECHNICAL SPECIFICATIONS		XS50
Excavator size	Tons	37 to 55
Weight (without top plate)	kg	4.730
Operating pressure	MPa	25
Operating Flow	L/min	100
Ø trommel	mm	1.870
Trommel length	mm	1.780



	A	B	C	Ø D
XS50	3.280	2.510	2.380	1.870

XCENTRIC RIPPER INTERNATIONAL, S.L.

Arriurdina, 15 • 01015 Vitoria-Gasteiz (Spain) • Tel.: +34 945 290 555

www.xcentricripper.com