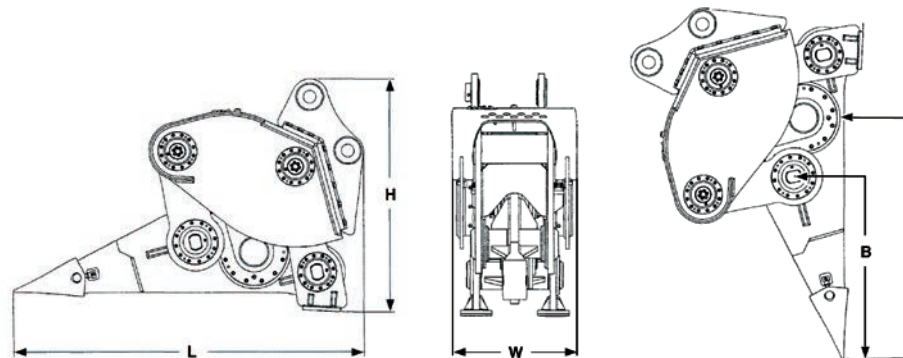




XR 30



Item	XR 30	
Hydraulic excavator	tons	24 - 30
Mass of ripper (incl. top bracket)	kg	3300
Mass of ripper (less top bracket)	kg	2800
Hydraulic working pressure	MPa	22 - 24
Hydraulic return pressure	MPa	0.6
Hydraulic oil flow	L/min	180
Case drain maximum pressure	MPa	0.4
Frequency	1/min	1300
Dimensions L x W x H	cm	280 x 85 x 175
Dimension A	cm	179.1
Dimension B	cm	139.1
Accumulator pressure	MPa	0.5



XCENTRIC RIPPER INTERNATIONAL, S.L.

Arriurdina, 15 · 01015 Vitoria-Gasteiz (Spain) · Tel.: +34 945 290 555

www.xcentricripper.com