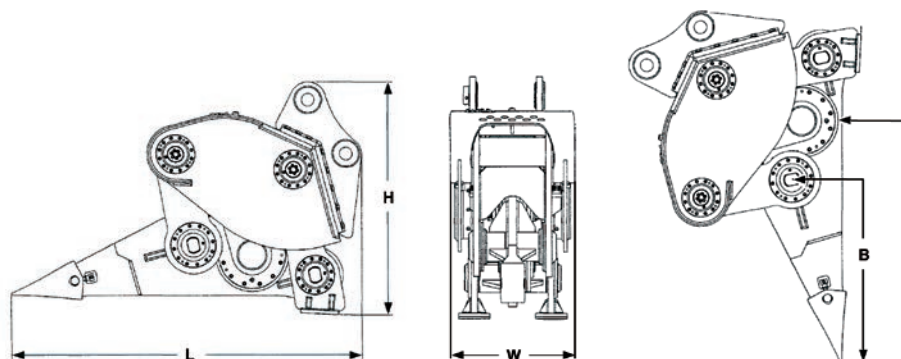


XR 80



Item		XR 80
Hydraulic excavator	tons	70 - 100
Mass of ripper (incl. top bracket)	kg	10500
Mass of ripper (less top bracket)	kg	8700
Hydraulic working pressure	MPa	30 - 32
Hydraulic return pressure	MPa	0.6
Hydraulic oil flow	L/min	380
Case drain maximum pressure	MPa	0.4
Frequency	1/min	1000
Dimensions L x W x H	cm	380 x 132 x 230
Dimension A	cm	240
Dimension B	cm	180
Accumulator pressure	MPa	0.6



XCENTRIC RIPPER INTERNATIONAL, S.L.

Arriurdina, 15 · 01015 Vitoria-Gasteiz (Spain) · Tel.: +34 945 290 555

www.xcentricripper.com