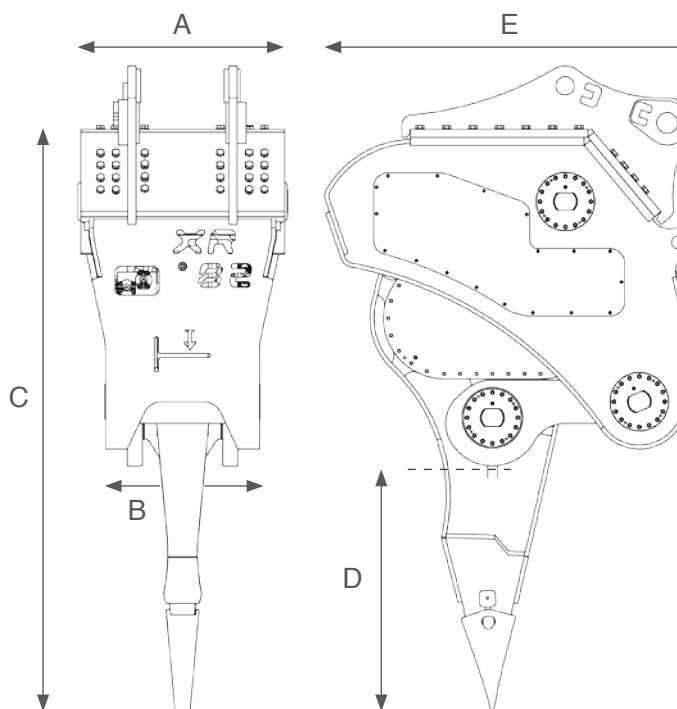


# XR 122



TECHNICAL SPECIFICATIONS		XR122
Excavator weight	Tons	100 - 140
Ripper operating weight	kg	15.000
Hydraulic working pressure	MPa	30
Hydraulic oil flow	L/min	520
Frecuency	1/min	600



XR122	
<b>A</b>	1.270
<b>B</b>	1.080
<b>C</b>	4.150
<b>D</b>	1.780
<b>E</b>	2.600

\* Dimensions in millimeters.

**XCENTRIC RIPPER INTERNATIONAL, S.L.**

Arriurdina, 15 · 01015 Vitoria-Gasteiz (Spain) · Tel.: +34 945 290 555

[www.xcentricripper.com](http://www.xcentricripper.com)